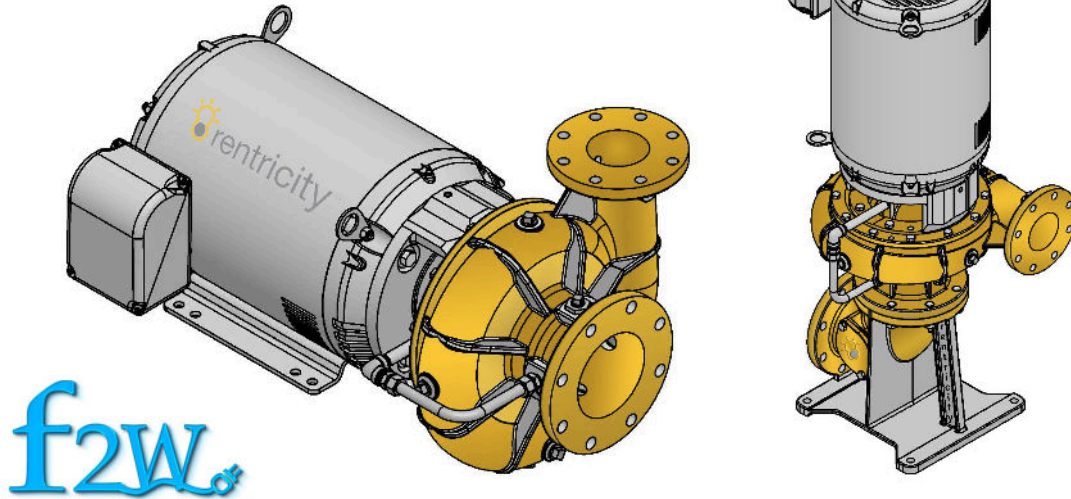


# Flow-to-Wire In-Conduit Hydropower Turbine



**Model: 5TR2 – 1800 rpm**  
**Output Range: 25 to 200kW**



| Standard Integrated Configuration |                                                      |
|-----------------------------------|------------------------------------------------------|
| <b>Turbine</b>                    | Ductile Iron/Close Coupled                           |
| <b>Seal</b>                       | Mechanical Shaft Seal                                |
| <b>Generator</b>                  | Standard Open Drip Proof (ODP)<br>480 volt - 3 phase |

| Optional Features                                                  |
|--------------------------------------------------------------------|
| Safe Water/Low Lead NSF 61/372 Certification                       |
| Horizontal (frame mount) or Vertical (support stand) Configuration |
| Stainless Steel                                                    |
| Total Enclosed Fan-Cooled Generator (TEFC)                         |
| Fresh Water/Finished Consumable Water                              |
| Single phase, 600 volt 3 phase generators                          |
| 1200 and 1800 RPM generators                                       |
| Speed Sensing (Tachometer)                                         |